

IC6T2 and IW80 In-Ceiling/In-Wall Specifications

CONCERTA

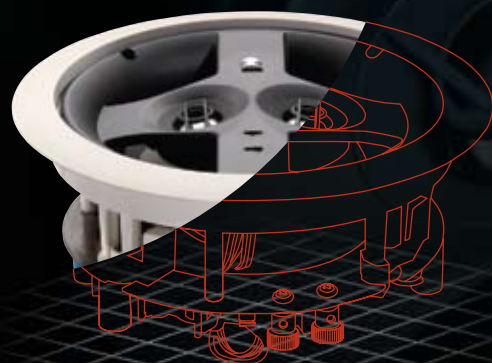


IC6T2

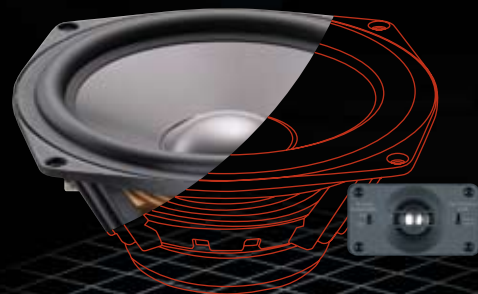


IW80

Driver Complement:	6-1/2" (165mm) woofer, dual 3/4" (19mm) tweeters	8" (200mm) woofer, 1" (25mm) tweeter
Crossover:	2-Way at 2.2kHz	2-1/2-Way at 400Hz and 2.2kHz
Bandwidth (-6dB):	45Hz - 22kHz	40Hz - 40kHz
Sensitivity: (2.83V @ 1m, 2π)	88dB (both channels driven)	89dB
Impedance:	6 Ohms	8 Ohms
Dimensions:	9-1/4" (235mm) diameter	10-1/4" x 13-7/16" (259mm x 341mm) W x H
Weight:	3.5 lb (1.6kg)	5.9 lb (2.7kg)



IC6T2
6-1/2" In-Ceiling Single-Speaker Stereo Loudspeaker
High-output, dual-voice-coil woofer
Dual tweeter with unique bridge design
High-order crossover network
Boundary compensation switch
Three-position tweeter-level control



IW80
8" In-Wall Loudspeaker
High-output, low-distortion woofer
Pivoting tweeter with integral waveguide
High-order crossover network
Boundary compensation switch
Three-position tweeter-level control

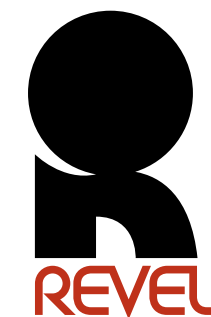


The exclusive Revel "in-wall mover" allows true comparisons of in-wall and in-ceiling loudspeakers with their competitors. Double-blind tests prove the sonic superiority of every Revel in-wall and in-ceiling model before it is released for production.

Revel, the Revel logo and Concerta are trademarks of Harman International Industries, Incorporated, in the United States and/or other countries. Features, specifications and appearance are subject to change without notice.

250 Crossways Park Drive, Woodbury, NY 11797
8500 Balboa Boulevard, Northridge, CA 91329
516.594.0300 www.revelspeakers.com
Part No. REVELINWALLIT8/08 Printed in USA 8/08

Harman International © 2008 Harman International Industries, Incorporated. All rights reserved.



CONCERTA

**IC6T2
IW80** In-Ceiling/In-Wall Loudspeakers



Genuine Revel sound. Two new options.

The IW80 and IC6T2 are two new choices in the Revel® Concerta™ series of in-wall and in-ceiling loudspeakers. The IW80 is the largest of the Concerta in-walls, delivering the acclaimed Revel sound quality in larger spaces. The IC6T2 is the first Concerta in-ceiling system for single-speaker stereo applications.

Perfect for smaller rooms where multiple in-ceiling loudspeakers would be impractical, the IC6T2 is also ideal for use in multiples in larger rooms, to achieve consistent sound and level throughout the area. Engineered to the same standards as traditional Revel systems, using only premium quality components, and subjected to the same battery of tests in the Revel Multichannel Listening Lab, the IW80 and IC6T2 are designed by serious listeners for serious listeners.

Resonance-Free Woofers

For many in-wall loudspeakers, realistic bass is only an elusive ideal. Concerta IW80 and IC6T2 speakers, however, employ proprietary Micro Ceramic Composite (MCC) woofer cones with long-throw rubber surrounds to deliver powerful, tight, uncolored low- and mid-frequency sound at high output levels.

More Responsive Tweeters

The ferrofluid-cooled MCC-dome tweeters feature integrated waveguides for greatly improved off-axis system response, resulting in a seamlessness unheard of in ordinary architectural loudspeakers. The IC6T2's unique bridge design splays the dual tweeters outward, reducing acoustical interference for clear, uncolored high frequencies.

High-Order Crossovers

Concerta crossover networks use only premium components mounted on rigid FR-4 glass-epoxy composite circuit boards. Air-core and laminated-steel inductors introduce less distortion than their more commonly used iron or ferrite-core counterparts. The film capacitors in the tweeter network are less subject to parasitic losses than lower priced electrolytic capacitors.



IC6T2



IW80

